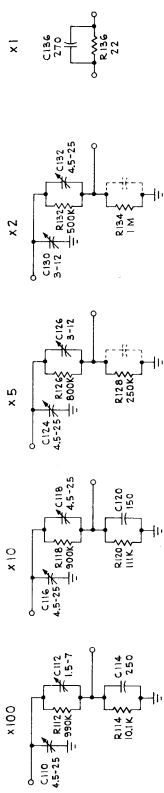


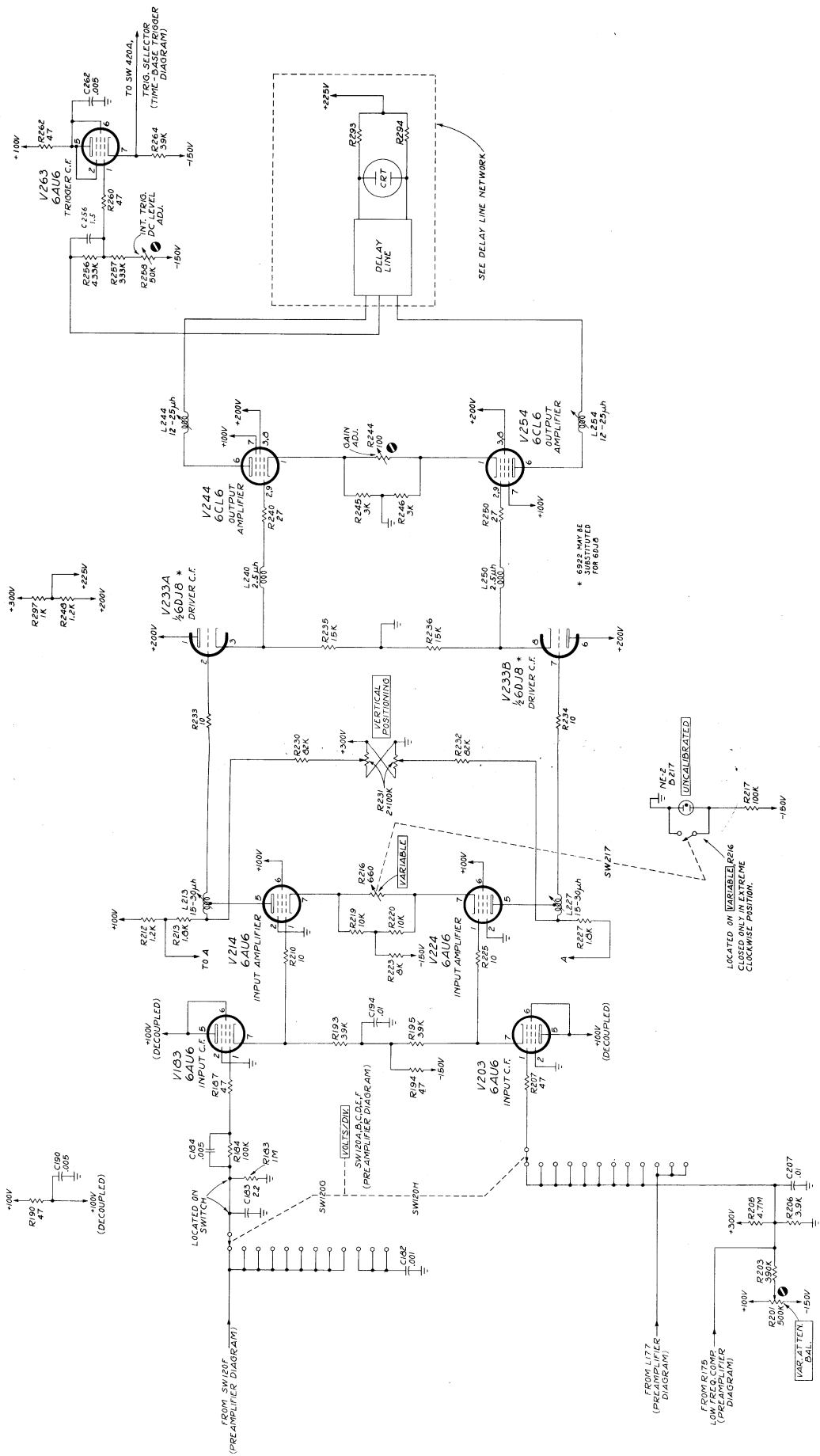
\* 6922 MY2E  
FOR 6D/6B



ATTENUATOR DETAILS

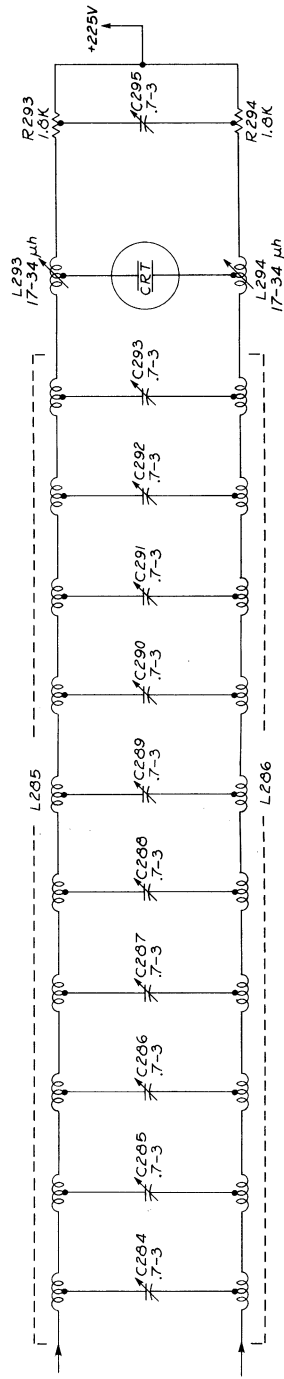
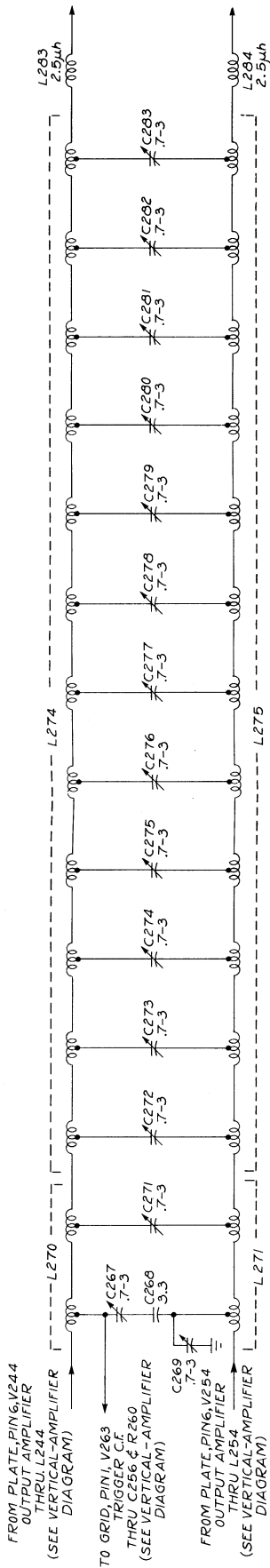
REH  
10-10-56

PREAMPLIFIER



R.O.W.  
12-24-58

VERTICAL AMPLIFIER



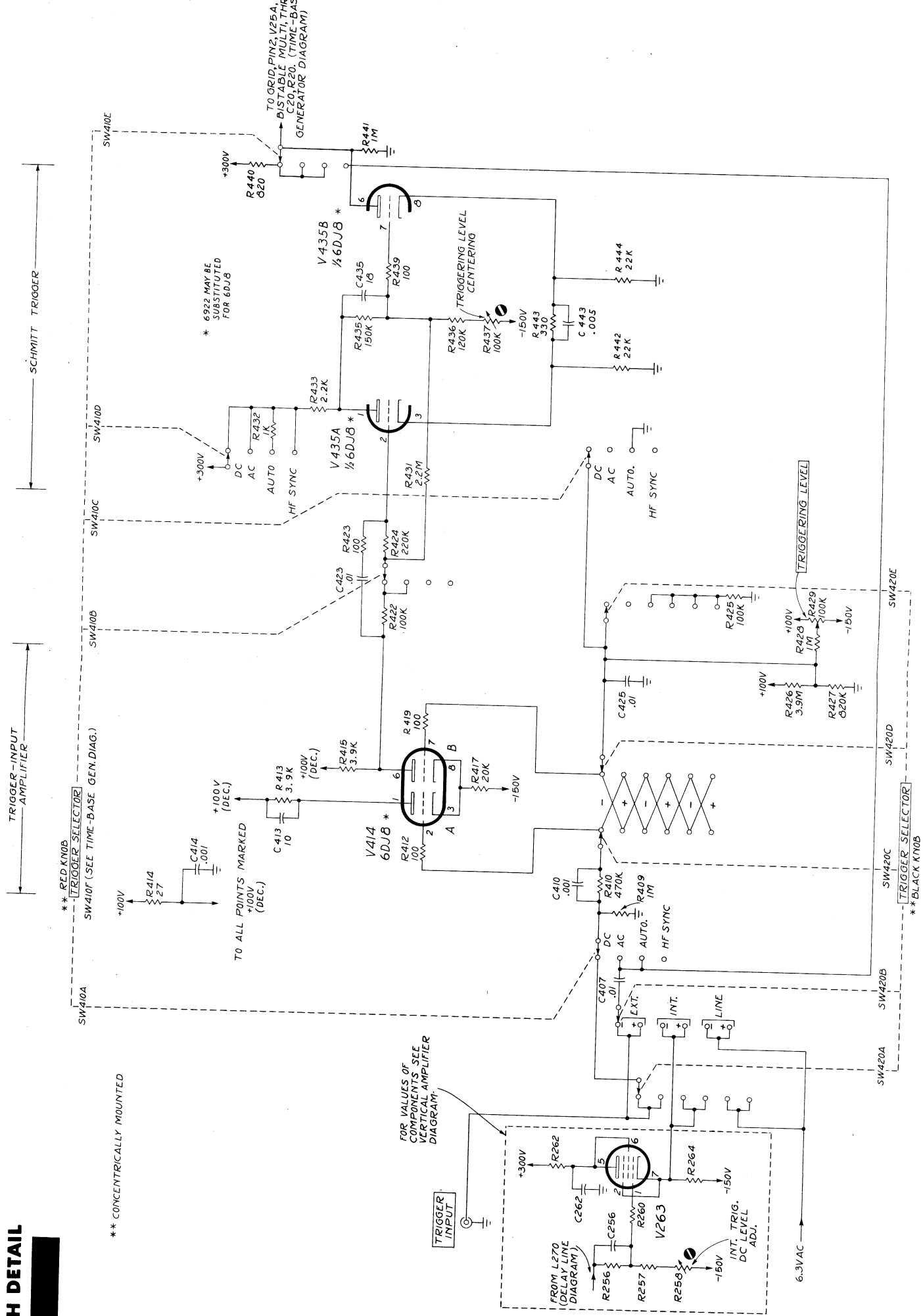
R.O.W.  
2-18-59

DELAY LINE

A1

TYPE 317 OSCILLOSCOPE

# SWITCH DETAIL



\*\* CONCENTRICALLY MOUNTED

\* 6922 MAY BE SUBSTITUTED FOR 6DJ8

TO ALL POINTS MARKED +100V (DEC.)

TO GRID, PINS, V25A, C20, R20. (TIME-BAS GENERATOR DIAGRAM)

FOR VALUES OF COMPONENTS SEE VERTICAL AMPLIFIER DIAGRAM.

R. O. W.  
10-7-57

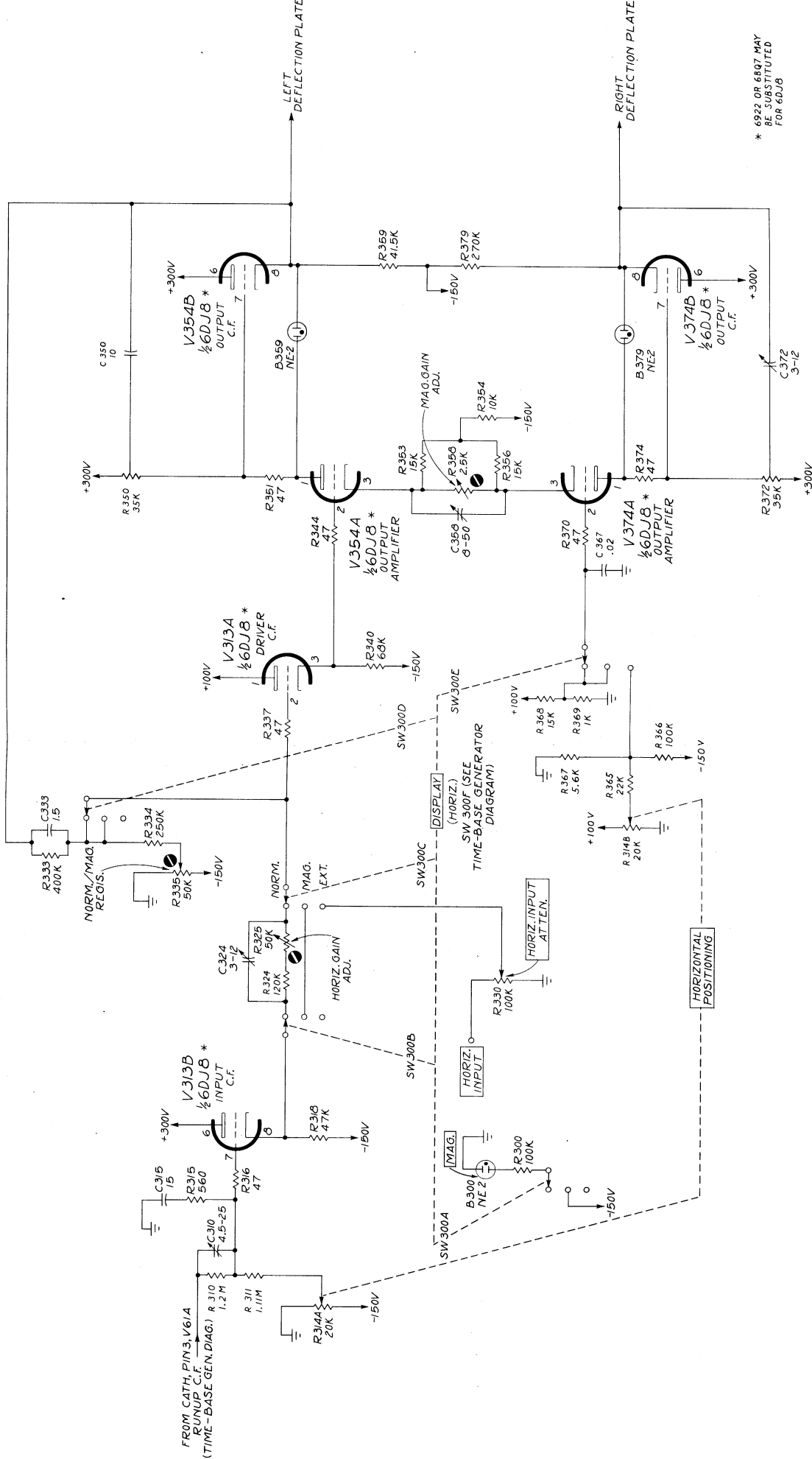
TYPE 317 OSCILLOSCOPE

A

TIME-BASE TRIGGER







\* 6D23 OR 6E07 MAY BE SUBSTITUTED FOR 6DJ8

R. O. W.  
6-19-58

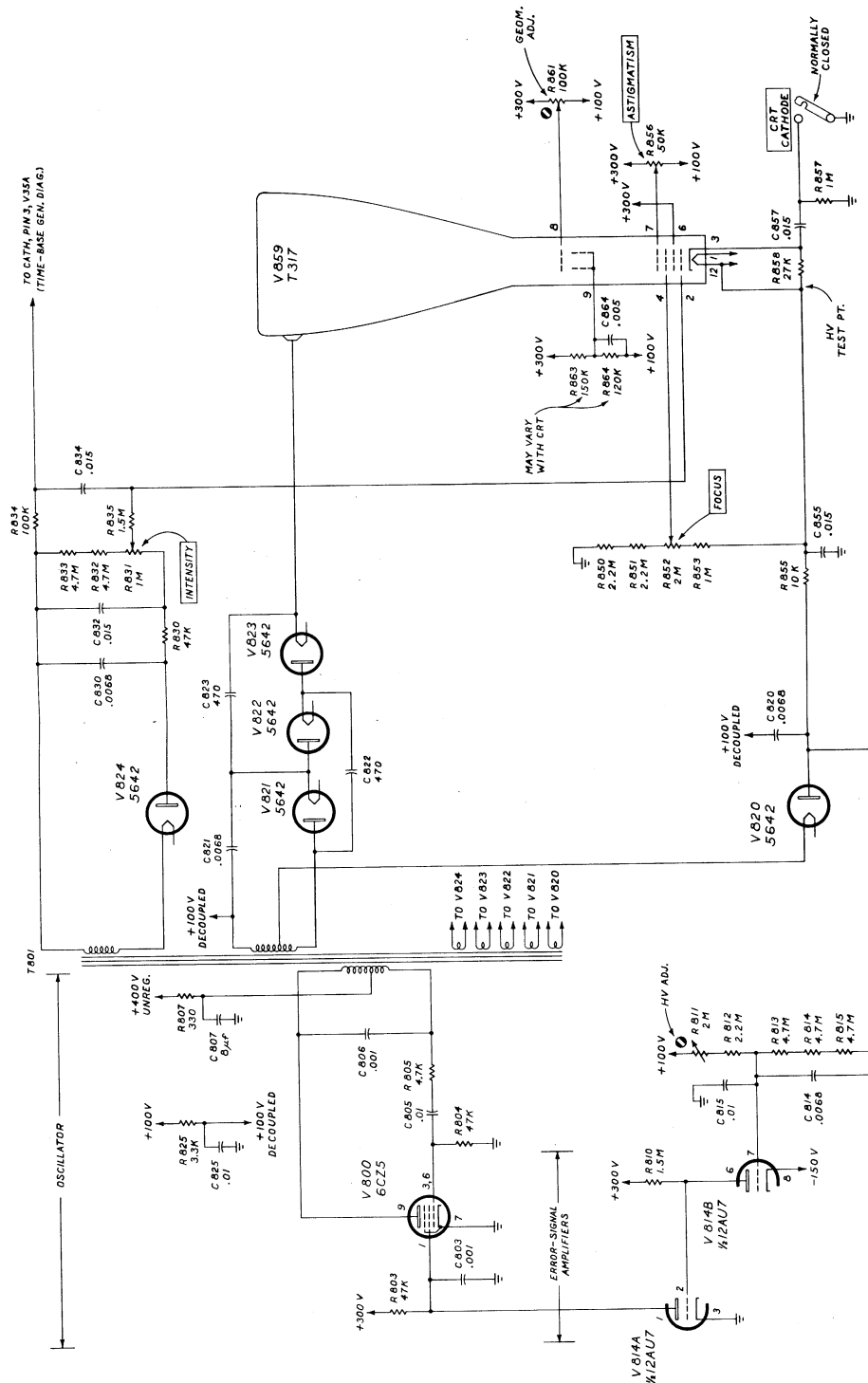
HORIZONTAL AMPLIFIER

TYPE 317 OSCILLOSCOPE A





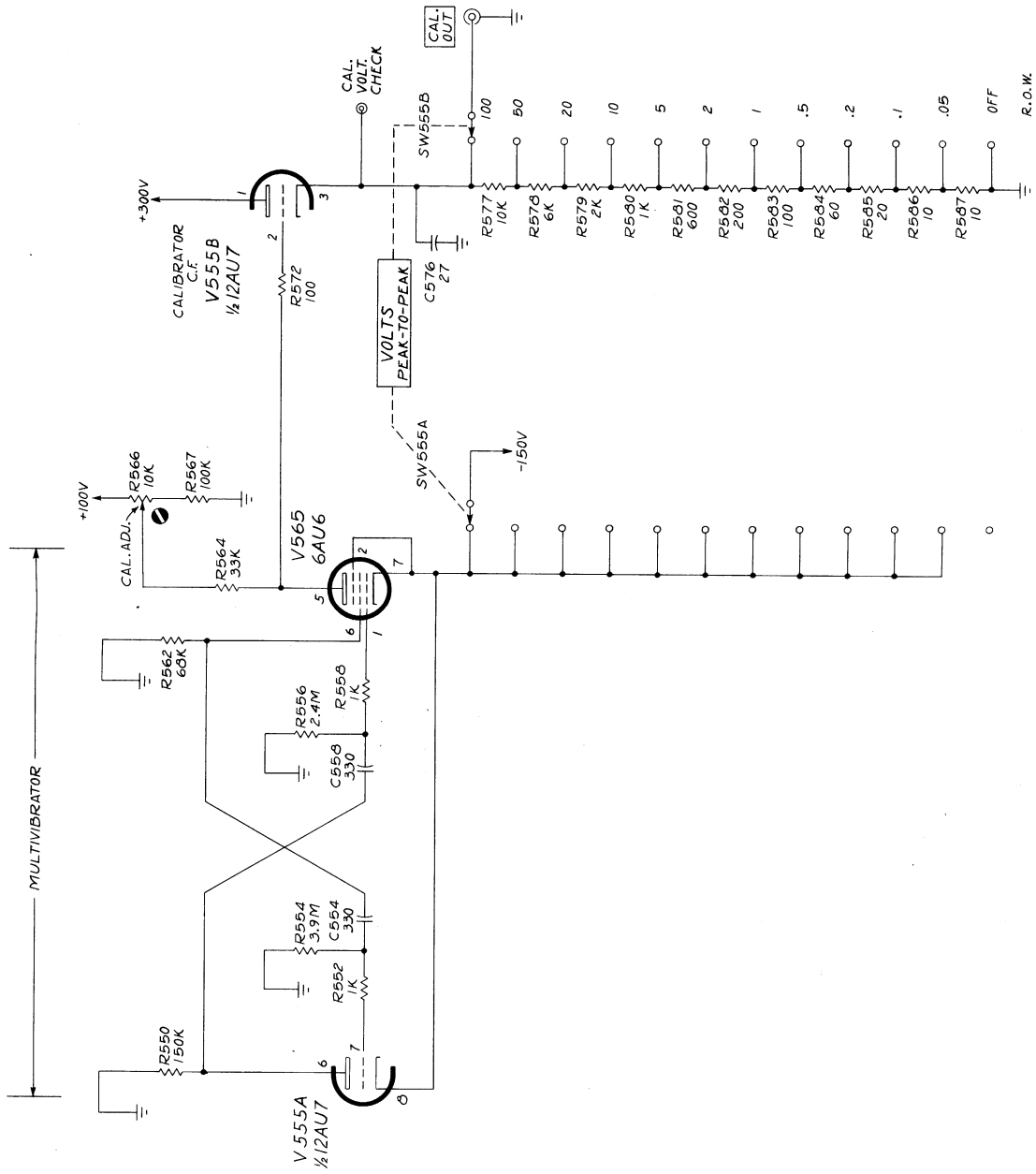
154-216  
 -217  
 -218  
 -34



D.B.L.  
 1-3-59

CRT CIRCUIT

A  
 TYPE 317 OSCILLOSCOPE

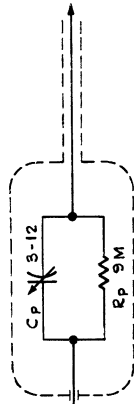
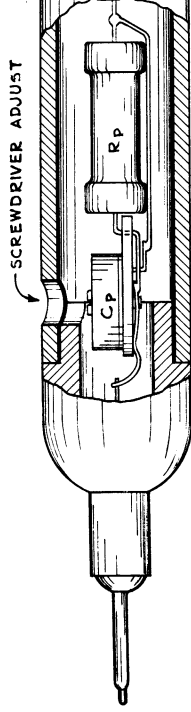


R.O.W.  
10-7-57

CALIBRATOR

A

TYPE 317 OSCILLOSCOPE



INPUT 10 MEG.  
SHUNTED BY 12  $\mu$ F  
WHEN CABLE IS  
TERMINATED WITH  
40  $\mu$ F

CP 3-12  $\mu$ F CER. VAR. 500V  
RP 9 MEG. 1W FIXED PREC. 1%

TEKTRONIX

